

CYS

ROCKER HYDRAULIC CLAMP



CYS-3005

CYS-3006

FEATURES

This product is suitable for Quick Die Change clamps, and it is made for convenient press die replacement. The clamp lever can be rotated to the desired direction, making it easy to The short operating stroke of the rocker lever is suitable for a constrained space between the base plates of die. It is connected to the pivot pin and can be used firmly and safely

Operating Pressure:15-250kgf/cm²
 Operating Temperature:0-60°C
 Single acting

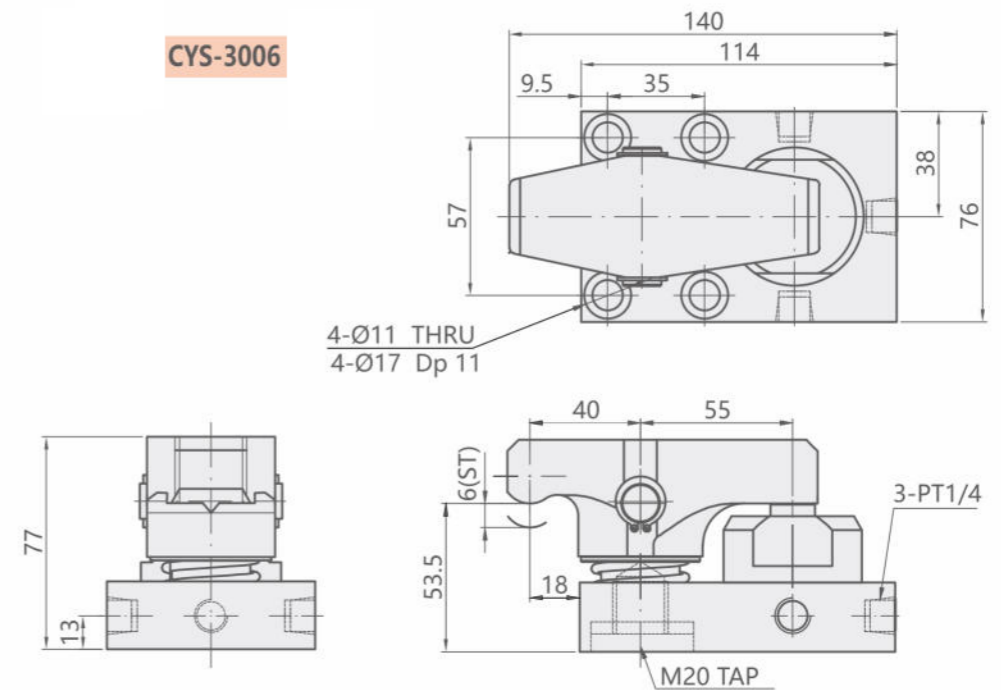
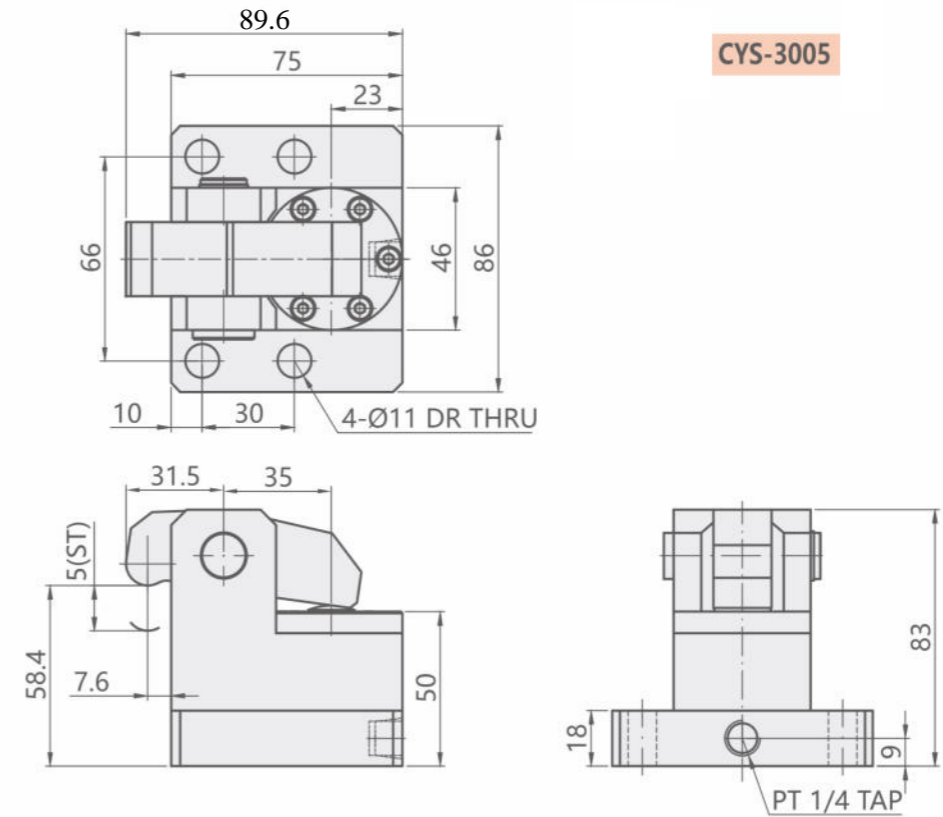
NOTE

It can be installed using a female thread on the bottom and a standard T-slot nut, and the clamping height can be adjusted by the space according to the mounting hole height.

ORDERING INDICATION

CYS-3005

CYS	Series	CYS	
30	Hydraulic cylinder inside diameter	30	
05	OH Stroke	05= 5mm	06= 6mm



SPECIFICATIONS

MODEL	STROKE (mm)	CYLINDER CAPACITY(cms)	CYLINDER AREA(cm ²)	MAXIMUM CLAMPING FORCE(kgf)	WEIGHT(kg)
CYS-3005	5.0	3.5	7.0	1900	2.2
CYS-3006	6.0	4.2	7.0	2400	2.6