

CLKA-P

CLKA-P HYDRAULIC LEVERAGE CLAMP

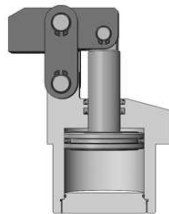


FEATURES

Product with optimal design,so the clamping capacity is better than others clamps.Product with the integrated structure on support site and cylinder body,so made product will be more impact,and strength will be improved.Product with special dust proof design,to make sure a high sealing performance.Product with lower flange design,more suitable for compact and light fixture.

Max. operating pressure: 70 kgf/cm²
Min. operating pressure:10 kgf/cm²

Sectional view



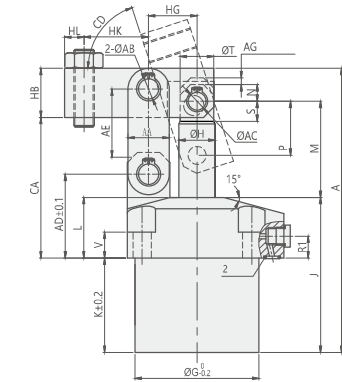
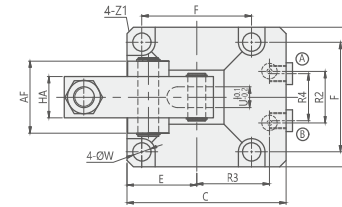
NOTE

The acting speed of clamping-unclamping should be slowed down.
Orders with customized request are available,
welcome to contact us.

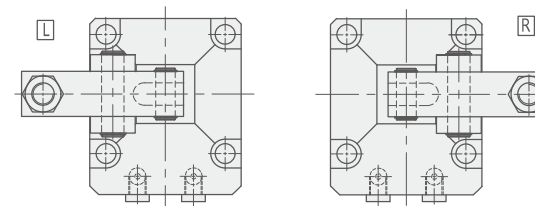
ORDERING INDICATION

CLKA – 040PL

CLKA-P	Series	CLKA-P
040	040/048/055/065/075/105	
L	Lever direction	Blank: Standard R:Right L:Left



Lever Direction



(A) Clamping port
(B) Unclamping port

Unit:mm

MODEL ITEM	CLKA -040P	CLKA -048P	CLKA -055P	CLKA -065P	CLKA -075P	CLKA -105P
A	97	108	119.5	140	166	199
B	45	50	57	70	86	108
C	55	60	66	82	96	120
E	22.5	25	28.5	35	43	54
F	35	40	46	56	68	88
G	39	47	53	63	78	100
H	12	14	14	16	22.4	28
J	60	66	71	83	95	112
K	33.5	39.5	42.5	47	55	65
L	26.5	26.5	28.5	36	40	47
M	28.5	32	34.5	40	49	61.5
N	5	6	6	8	11	13
P	17.5	20.5	23	26.5	33	42
Q	2	2	2	2	2.5	2.5
R1	12.5	12.5	12.5	14	14	21
R2	22	24	28	36	45	50
R3	25	28	30.5	36	42	57
R4	20	22	26	30	38	50
S	6.5	7	7	9	10.8	14.5
T	10	12	12	14	20	26
U	6	6	8	10	11	16
V	18	17	17	20	20	20
W	5.5	5.5	6.8	9	11	14
X	10	10	12	15	18.5	20
Y	G/1/8	G/1/8	G/1/8	G/1/4	G/1/4	G3/8
Z1	C1.5	C2.5	C2.5	C3	C3.5	C5.5
O-Ring	P7	P7	P7	P8	P8	P10
AA	11	13	15	19	25	32
AB	$6^{+0.012}_0$	$6^{+0.012}_0$	$8^{+0.015}_0$	$10^{+0.015}_0$	$14^{+0.018}_0$	$16^{+0.018}_0$
AC	$6^{+0.012}_0$	$6^{+0.012}_0$	$6^{+0.012}_0$	$8^{+0.015}_0$	$12^{+0.018}_0$	$14^{+0.018}_0$
AD	34	36	39	48	54.5	65
AE	24	26	30	35.5	44	53
AF	21	21	28	37	46	56
AG	3	3	3	3	3	3
BC	4	4	4	6	6	8
CA	49.5	52.5	57	68	80	96
CB	48	59.6	67.3	78.7	98.2	133.5
CC	80.2	92.5	101.3	120.4	144.7	189.2
CD	69°	71°	70°	70°	69°	72°
HA	12	12	16	19	22	32
HB	14	16	20	25	31	38
HG	16.5	18.5	21	24.5	30.5	37.5
HK	20	23.5	29	32	39	50
HL	6	6	8	10	11	15

SPECIFICATION

MODEL	CLAMPING FORCE AT 70 kgf/cm ² (kgf)	CLAMPING STROKE (mm)	TOTAL STROKE(mm)	CYLINDER CAPACITY CLAMP(cm ³)	CYLINDER CAPACITY UNCLAMP(cm ³)	EFFPISTON AREA CLAMP(cm ²)	EFFPISTON AREA UNCLAMP(cm ²)	RANGE OF TEMPERATURE(°C)	USABLE FLUID
CLKA-040P	283	17.5	20.5	10	7.7	4.9	3.77	0~+70°C	General Hydraulic Oil Equivalent to ISO-VG-32
CLKA-048P	391	20.5	23.5	16.7	13	7.1	5.56	0~+70°C	
CLKA-055P	486	23	26	25	21	9.6	8.06	0~+70°C	
CLKA-065P	814	26.5	29.5	44.8	38.9	15.2	13.2	0~+70°C	
CLKA-075P	1346	33	36	88.6	74.5	24.6	20.66	0~+70°C	
CLKA-105P	2020	42	45	173.3	145.5	38.5	32.35	0~+70°C	