

# CBLU

## CBLU HYDRAULIC LEVERAGE CLAMP



### FEATURES

This series product with the optimal design, so the clamping capacity is better than the traditional product.

Product with the integrated structure on support site and cylinder body, so made more impact, and strength can be improved. Product with special dust proof design, dust proof and sealing have been improved, so it has high sealing performance.

Product with the box-type design, do not need to block the installation, is convenient.

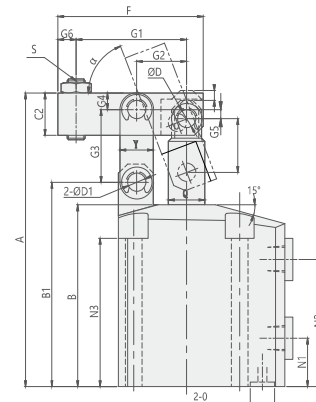
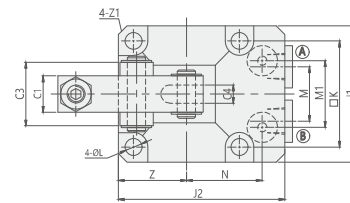
Max. operating pressure: 70 kgf/cm<sup>2</sup>  
Min. operating pressure: 10 kgf/cm<sup>2</sup>

Sectional view

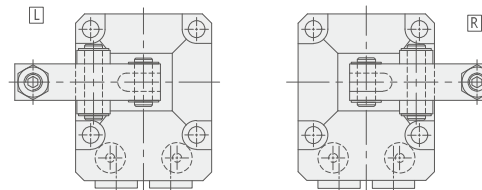


### NOTE

The acting speed of clamping-unclamping should be slowed down.



Lever Direction



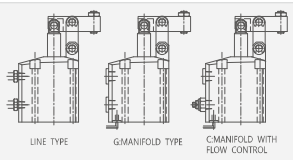
- Ⓐ Clamping port
- Ⓑ Unclamping port

Unit:mm

MODEL ITEM	CBLU -25	CBLU -30	CBLU -35	CBLU -45	CBLU -55	CBLU -70
A	97	108	119.5	140	166	199
B	60	66	71	83	95	112
B1	67.5	75.5	81.5	95	109.5	130
C1	12	12	16	19	22	32
C2	14	16	20	25	31	38
C3	21	21	28	37	46	56
C4	6	6	8	10	11	16
D	Φ6	Φ6	Φ6	Φ8	Φ12	Φ14
D1	Φ6	Φ6	Φ8	Φ10	Φ14	Φ16
F	48.5	54	64	73.5	90.5	115.5
G1	36.5	42	50	56.5	69.5	87.5
G2	16.5	18.5	21	24.5	30.5	37.5
G3	24	26	30	35.5	44	53
G4	5.5	6.5	8	9.5	12.5	16
G5	3	3.5	6	7.5	9.5	9.5
G6	6	6	8	10	11	15
J1	45	50	57	70	86	108
J2	55	60	66	82	96	120
K	35	40	46	56	68	88
L	Φ5.5	Φ5.5	Φ6.8	Φ9	Φ11	Φ14
L1	Φ9.5	Φ9.5	Φ11	Φ14	Φ17.5	Φ20
M	20	22	26	30	38	50
M1	22	24	28	36	45	50
N	25	28	30.5	36	42	57
N1	16	17	17	22	23	28
N2	42	48	51	56.5	64.5	80.5
N3	49	54	57	66	73.5	83
Z	22.5	25	28.5	35	43	54
Z1	C3	C3	C3	C4	C6	C6.5
S	M6x25	M6x25	M8x30	M10x40	M12x50	M16x60
α	69°	71°	70°	70°	69°	72°
Y	11	13	15	19	25	32
Q	Φ12	Φ14	Φ14	Φ16	Φ22	Φ28
PORT WITH LINE TYPE	PT1/8	PT1/8	PT1/8	PT1/4	PT1/4	PT3/8
O-RING HOLE (C TYPE)	P7	P7	P7	P8	P8	P10

### ORDERING INDICATION

#### CBLU-30CL

CBLU	Series	CBLU
30	Hydraulic cylinder inside diameter	Φ 25 , Φ 30 , Φ 35 , Φ 45 Φ 55 , Φ 70
C	Port type	Blank: Line type G: Manifold type C: Manifold with flow type 
L	Lever direction	Blank: Standard L: Left R: Right

### SPECIFICATION

MODEL	CLAMPING FORCE AT 70 kgf/cm <sup>2</sup> (kgf)	CLAMPING STROKE (mm)	TOTAL STROKE (mm)	CYLINDER CAPACITY CLAMP (cm <sup>3</sup> )	CYLINDER CAPACITY UNCLAMP (cm <sup>3</sup> )	EFF. PISTON AREA CLAMP (cm <sup>2</sup> )	EFF. PISTON AREA UNCLAMP (cm <sup>2</sup> )	RANGE OF TEMPERATURE (°C)	USABLE FLUID
CBLU-25	283	17.5	20.5	10.00	5.69	4.91	2.78	-10~+70°C	General Hydraulic Oil Equivalent to ISO-VG-32
CBLU-30	391	20.5	23.5	16.60	13.00	7.07	5.53	-10~+70°C	
CBLU-35	486	23	26	25.00	21.00	9.62	8.08	-10~+70°C	
CBLU-45	852	26.5	29.5	46.90	41.00	15.90	13.90	-10~+70°C	
CBLU-55	1300	33	36	85.50	71.80	23.75	19.95	-10~+70°C	
CBLU-70	2020	42	45	173.10	145.40	38.47	32.32	-10~+70°C	